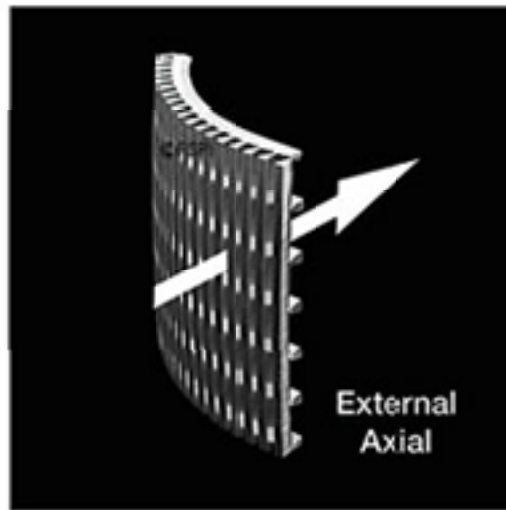
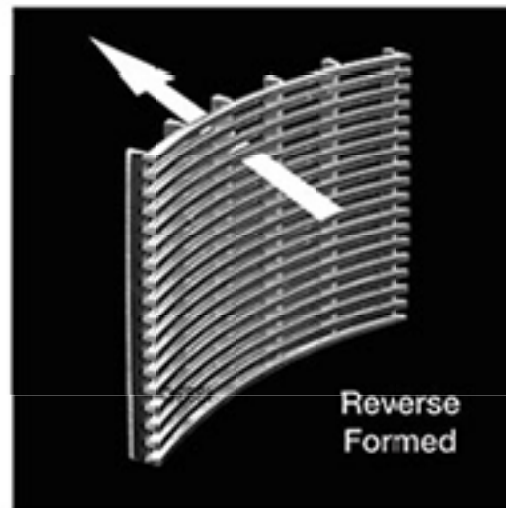
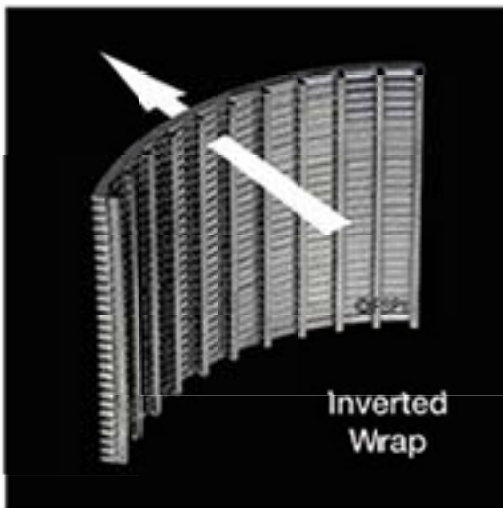


CONSTRUCTION PROFILES

Flow Outside In



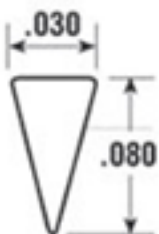
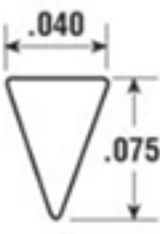
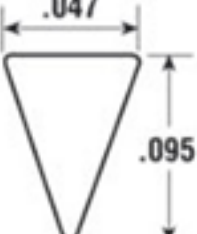
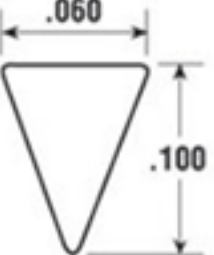
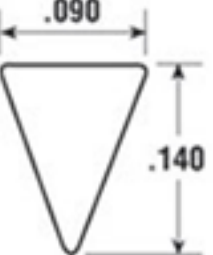
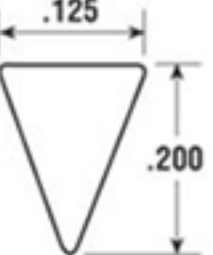
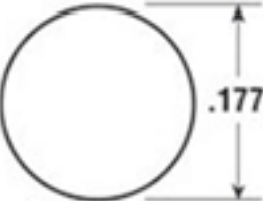
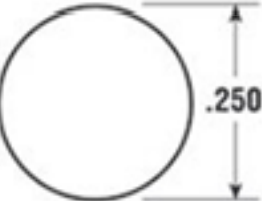

Flow Inside Out



WIRE MATERIALS

- 304SS • 316SS • 321SS • 347SS
- DUPLEX SS • ALLOY 20 • HASTELLOY®C-76
- ALLOY B-3 • TITANIUM • MONEL 400

WIRE PROFILES & RIB SUPPORT

<p>No. 30</p> 	<p>No. 40</p> 	<p>No. 47</p> 
<p>No. 60</p> 	<p>No. 90</p> 	<p>No. 125</p> 
<p>No. 177</p> 	<p>No. 250</p> 	<p>CUSTOM</p> 

PARTILCLE SIZES

U.S. MESH	INCHES	MICRONS	MILLI-METERS
3	.265	6730	6.73
3½	.223	5660	5.66
4	.187	4760	4.76
5	.157	4000	4.00
6	.132	3360	3.36
7	.111	2830	2.83
8	.0937	2380	2.38
10	.0787	2000	2.00
12	.0661	1680	1.68
14	.0555	1410	1.41
16	.0469	1190	1.19
18	.0394	1000	1.00
20	.0331	841	.84
25	.0280	707	.71
30	.0232	595	.59
35	.0197	500	.50
40	.0165	420	.42
45	.0138	354	.35
50	.0117	297	.297
60	.0098	250	.250
70	.0083	210	.210
80	.0070	177	.177
100	.0059	149	.149
120	.0049	125	.125
140	.0041	105	.105
170	.0035	88	.088
200	.0029	74	.074
230	.0024	63	.063
270	.0021	53	.053
325	.0017	44	.044
400	.0015	37	.037